

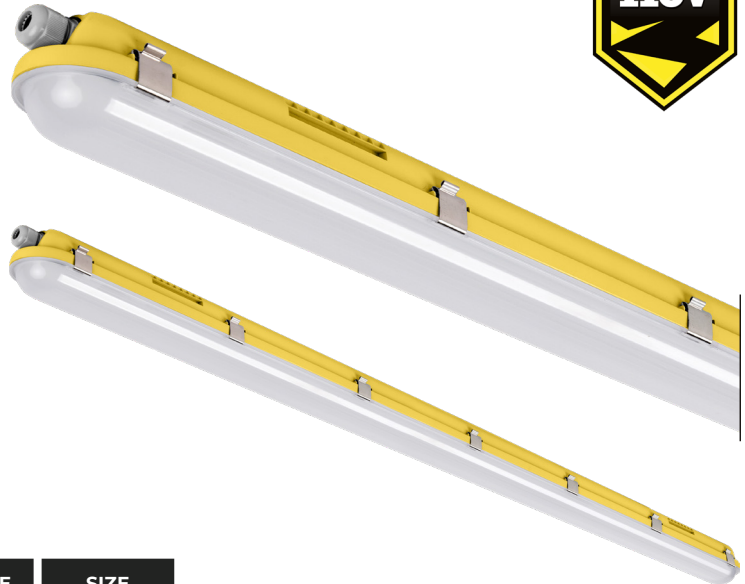
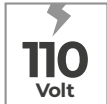


110V CLIMATE NON-CORROSIVE



Product Features

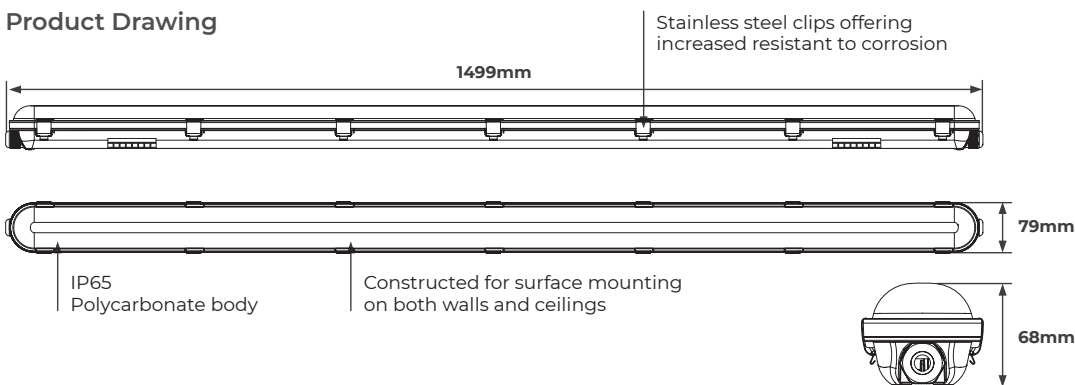
- 110V hard wired linear IP65 luminaire with speedfit installation
- Polycarbonate construction with opal diffuser
- Supplied with stainless steel clips
- 20mm conduit knockout



CAT NO.	TYPE	LUMINAIRE LUMENS	WATTAGE	SIZE
LSLCL1530W1V	Standard	3000	25W	1500mm
LSLCL1530EW1V	Emergency	3000	25W	1500mm

CAT NO.	WEIGHT (kg)	CRI	FREQUENCY	IK RATING	TEMP RANGE (°C)	AMBIENT TEMP RATED LIFE (°C)
LSLCL1530W1V	1.65	>80	50-60	IK08	-20 to +40	25
LSLCL1530EW1V	1.85	>80	50-60	IK08	0 to +40	25

Product Drawing



STANDARD	DESCRIPTION
EN 60598-1	Luminaires – General requirements
EN 60598-2-1	Luminaires – Fixed general purpose
EN 61000-3-2	Electromagnetic compatibility (EMC) – Part 3-2: Limits – for harmonic current emissions
EN 61000-3-3	Limits – Limitation of voltage changes, voltage fluctuations and flicker in public low-voltage supply systems, for equipment with rated current ≤ 16 A per phase and not subject to conditional connection
EN 61547	Equipment for general lighting purposes – EMC immunity requirements
EN 55015	Limits and methods of measurement of radio disturbance characteristics of electrical lighting and similar equipment

